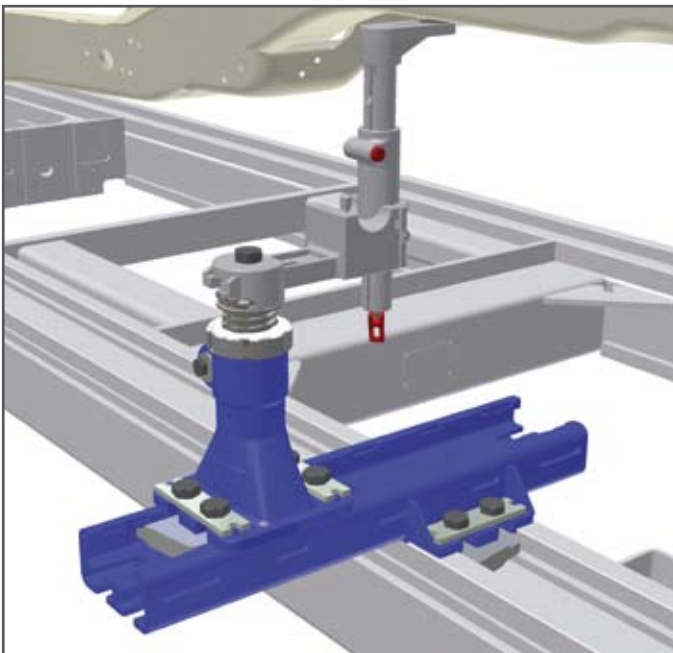


# EVO™ 3

## Holding and Fixturing System

The new generation universal fixture system from Car-O-Liner.

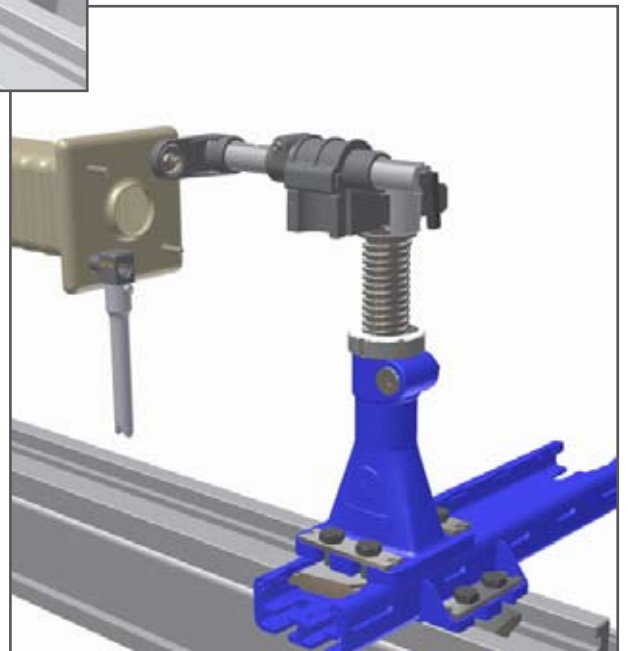
The combination Car-O-Tronic Vision and the Car-O-Liner EVO System replaces the need to rent or buy a set of fixtures for each vehicle. Car-O-Liner EVO System is universal and made for all vehicles on the market yesterday, today and tomorrow!



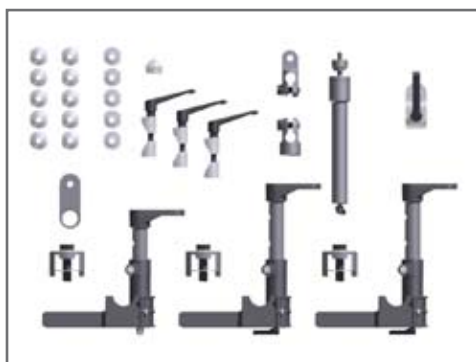
*The purpose with EVO 3 is to build a fixture to hold new body parts in place when welding and bonding. All supported by software solutions in Vision. Examples of parts are: Frame rails, inner fenders, strut towers, etc.*

### **The new Universal Holding & Anchoring System for the Future.**

The EVO System is modular and upgradable. The EVO System is integrated with Car-O-Liner's Data and Software and supports the complete vehicle repair process with Multimedia, Instructions and Data. Our revolutionary concept – The EVO System will help you to maximize your business performance.



# EVO™ 3



## EVO 3 Art. No. 1515001420

Description	Pcs	Art. No
E440 Tower 440	1	151 50 01 105
B626 Camlock, cpl	4	133 01 10 081
E150-15 Adjustable holder (Short)	1	151 50 01 107
E150-24 Adjustable holder (Long)	1	151 50 01 108
E164 Nut, tower	2	151 50 01 110
E191-18 Bushing 18	1	151 50 01 165
E191-21 Bushing 21	1	151 50 01 166
E191-22 Bushing 22	1	151 50 01 167
E191-26 Bushing 26	1	151 50 01 168
E300-50 EVO 3 holder, cpl	1	151 50 03 300
E300 EVO 3 holder without shaft	1	151 50 03 306
E300-30, EVO 3 holder short	1	151 50 03 301
E300-50, EVO 3 holder CPL	2	151 50 03 300
E320, Lock wedge with handle	3	151 50 03 311
E330, Bracket angle holder 90°	1	151 50 03 117
E310, Angle holder 90°	1	151 50 03 302
E340, Bracket angle holder	1	151 50 03 303
E350, Mini clamp	1	151 50 03 304
E360, Universal joint	1	151 50 03 305
E370-8, Threaded bushing 8	1	151 50 03 141
E370-10, Threaded bushing 10	1	151 50 03 136
E370-12, Threaded bushing 12	1	151 50 03 137
E370-14, Threaded bushing 14	1	151 50 03 138
E370-16, Threaded bushing 16	1	151 50 03 139
E380-08, Threaded cone bushing 8	2	151 50 03 142
E380-10, Threaded cone bushing 10	2	151 50 03 130
E380-12, Threaded cone bushing 12	2	151 50 03 131
E380-14, Threaded cone bushing 14	2	151 50 03 132
E380-16, Threaded cone bushing 16	2	151 50 03 133
E380-00, Threaded cone bushing	1	151 50 03 135